

Rugged USB 3.0 Hub



Image Credit: www.mars.nasa.gov Photo Credit: www.defense.gov

Military-Grade, Environmentally Sealed, Electromagnetically Shielded, Mountable

The Parraid Rugged USB 3.0 Hub is the toughest four port hub on the market. Designed from the ground-up for the most extreme operating environments encountered by modern advanced mobile IT systems, the Rugged USB 3.0 Hub is certified to **MIL-STD-810** for temperature, vibration, and pyroshock; **MIL-STD-461** for emissions and susceptibility. The sturdy and dependable Rugged USB 3.0 Hub is the strongest way to interconnect your deployable systems and is fast and reliable under the harshest conditions.

Don't let your USB hub be the weakest link in your fielded IT equipment!

BENEFITS & HIGHLIGHTS

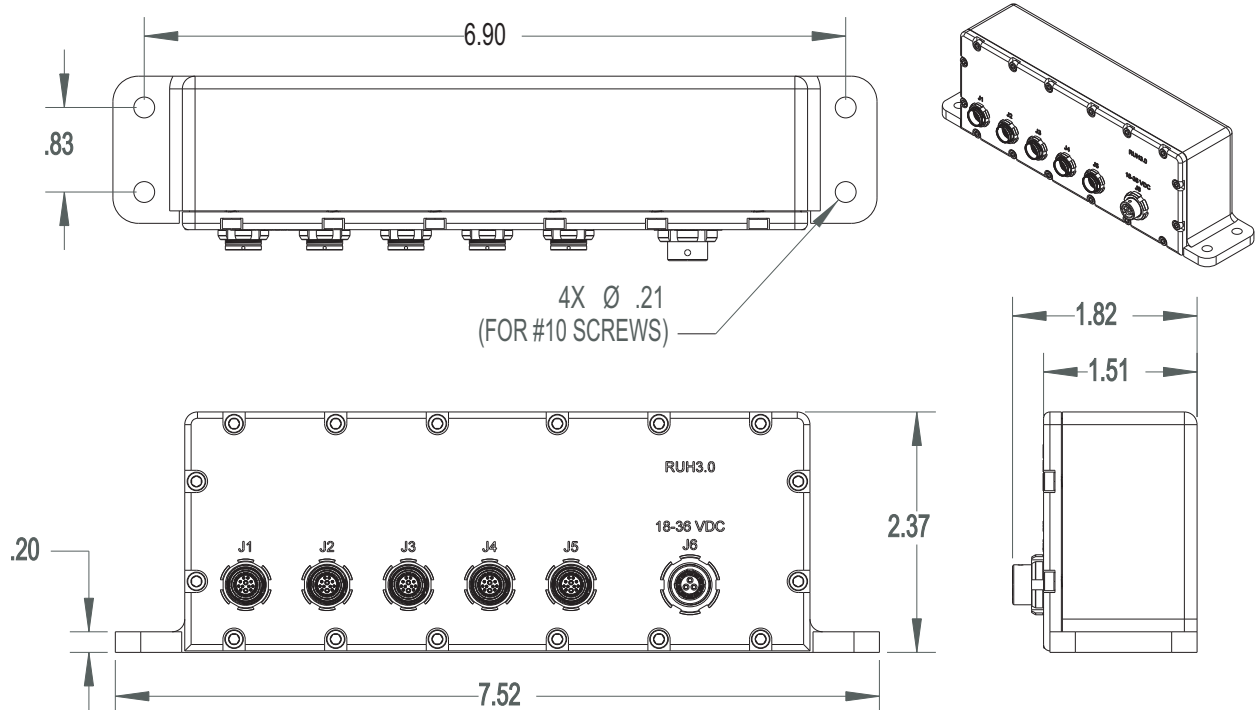
- ▶ Slim, durable design
- ▶ Retentive connectors
- ▶ Heavy-duty military connectors prevent accidental disconnection
- ▶ Withstands extreme temperatures
- ▶ Withstands extreme shock
- ▶ Electromagnetically shielded
- ▶ Built-in mount points
- ▶ Port overcurrent protection
- ▶ Four powered SuperSpeed USB 3.0 Ports
 - High-speed data transfers up to 5Gbps
 - Up to 900 mA per downstream port
 - Fully backwards compatible with USB predecessors
- ▶ Can cascade multiple hubs, enabling many devices
- ▶ Operates with Microsoft® Windows, Apple® Macintosh OS, Linux, and other USB-capable operating systems



SPECIFICATIONS

General	
Dimensions	7.52" x 2.37" x 1.8"
Weight	1.22 lbs.
Finish	Black anodize (MIL-A-8625, Type II)
Ports	(4) Downstream USB ports, (1) Upstream USB port, and (1) Power
Power Cable Connector	ODU S10YAR-P03XJG0-0000
Upstream Cable Connector	ODU A10WBM-P12XMM0
Downstream Cable Connector	ODU A10WCM-P12XMM0
Port Speed	Super, high, full, or low-speed device connections and super or high-speed host connection
Power	
Power Source	Self-powered with external supply
Consumption	19 watts with full power to all downstream devices
Self-Power Input Voltage	18-36 VDC @ 1A
Output (Downstream)	5VDC at 900mA per port with overcurrent protection
Environmental	
Operating Temperature	Minimum -40°C to Maximum +70°C
Storage Temperature	Minimum -55°C to Maximum +85°C
Cooling	Conduction/convection via case
Addition Certifications	Vibration and pyroshock
EMC/EMI Certifications	Emissions and susceptibility
USB Certification	USB 3.1 Gen 1 SuperSpeed 5Gb/sec and USB 2.0

DIMENSIONS



Government and
DoD Sales
301-690-0690
sales@parraid.com

