



Rugged USB Repeater

A compact rugged device for extending USB connections

The Parraid Rugged USB Repeater™ (RUR) is a device that reliably extends USB connections. While USB is a widely used connection, it is limited to a length of only 5 meters (16.4 feet), many installations need a longer cable run. Each RUR extends a connection between USB host and USB device, and multiple RUR devices can be added end-to-end to provide even more interface distance. The RUR is USB powered and

requires no external power sources. The product is fully USB 2.0 high-speed compliant. Designed to operate in harsh battlefield conditions, the product is certified MIL-STD-810D, MIL-STD-464C, and MIL-STD-461F.



300-2F1000-000 RUGGED USB REPEATER

FEATURES

- ▶ 5 meters (16.4 feet) of USB extended length per RUR
- ▶ Compact size and lightweight
- ▶ Bus powered with USB
- ▶ Rugged packaging; designed to meet MIL-STD-810D requirements
- ▶ Secure, high performance aircraft style connectors
- ▶ EMI/RFI protection designed to meet MIL-STD-461F requirements
- ▶ Electrostatic discharge protection to meet MIL-STD-464C requirements
- ▶ Finished in Chemical Agent Resistant Coating (CARC)
- ▶ USB 2.0 specification compliant
- ▶ Multiple RURs can be linked end-to-end
 - 5 RURs for self-powered USB devices
 - 2 RURs for bus-powered USB devices up to 100 mA
- ▶ No special USB drivers required; simple plug-in installation
- ▶ Transparent to software applications

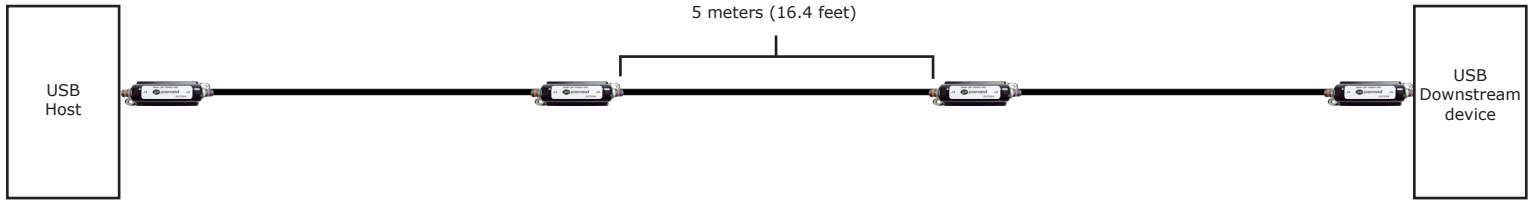
RE-RUR-PF Rev 02

RUR COMPLIANCE CERTIFICATIONS

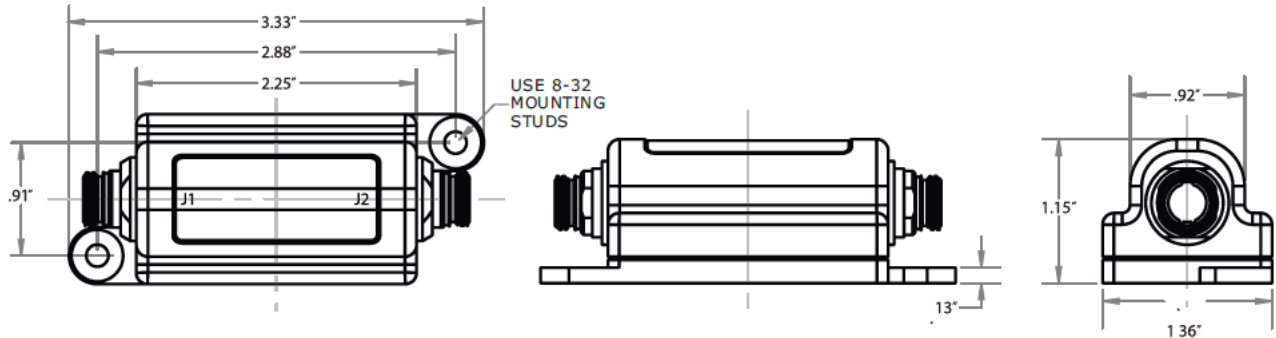
- ▶ 90182-100 Production Test
- ▶ Explosive Atmosphere Analysis, October 2017
- ▶ Electromagnetic Compatibility Criteria, MIL-STD-461F, May 2018
- ▶ ESD Discharge, MIL-STD-464C, May 2018
- ▶ Environmental Criteria, MIL-STD-810D, May 2018
- ▶ Parraid Rugged USB Repeater MIL-STD Report available upon request

Rugged® Enhancements For Radios & Computers

MULTIPLE RUR'S TO EXTEND LINK



RUR DIMENSIONS



	Minimum	Maximum
Part Number	300-2F1000-000	
Extended Cable Distance	0 Meters	5 Meters
USB Ports	(1) Upstream, (1) Downstream	
Upstream Cable Connector	Lemo FGS.0M.305.XLMT	
Downstream Cable Connector	Lemo FGN.0M.305.XLCT	
Upstream Port Speed	High-speed (480 Mb/s) or full-speed (12 Mb/s) hosts	
Downstream Port Speed	High-speed, full-speed, or low-speed devices	
Power Source	USB bus power	
Input Voltage (upstream)	+5VDC nominal	
Input Voltage range	+4.5VDC	+5.5VDC
Output Voltage (downstream)	+5VDC nominal	
Power (consumption)		30 mA @ 5VDC, 0.15 Watts
Temperature (Operating)	-53C	+70C
Temperature (Storage)	-62C	+125C
Humidity (Non-condensing)	5%	95%
Cooling	Conduction/Convection via case	
Weight	2.7 ounces	
Certifications	MIL-STD-810D, MIL-STD-464C, MIL-STD-461F	



RE-RUR-PF Rev 02

DESIGN | BUILD | SUPPORT

©2020 Parraid, Inc. All rights reserved. Parraid and RUR are trademarks of Parraid, LLC. All other marks are the properties of their respective owners.

Parraid, LLC...A Small Business!
Phone: +1.301.690.0690

44150 Smartronix Way • Suite 100 • Hollywood, MD 20636
sales@parraid.com • www.parraid.com • international_sales@parraid.com



CMMIDEV/3SM
Exp. 2023-09-03 / Appraisal #8526